

ULTRASONIC POWER
CORPORATION

Made in the U.S.A.

Ultrasonic Instrument Cleaning System
Model 3218- 39 Gallon Music “Tenor”
Console with Filtration



Description:

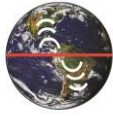
ULTRASONIC POWER CORPORATION, self-contained, portable **Model 3218**, ultrasonic cleaning system. Built for long term, continuous, reliable, precision cleaning with the following features:

- Internal dimensions of 18 inches (FtoB) x 32 inches (LtoR) x 16 inches deep
- Overall dimensions of 23 inches (FtoB) x 51 inches (LtoR) x 40 inches high
- (One) 40 kHz, 1000 Watt, Model 5300 ultrasonic generator
- High efficiency generator circuitry, meets all FCC requirements
- Sweep circuitry (adjustable from 300 Hz to 1000 Hz)
- **1000 Watts average power (2000 Watts peak)**
- **Patented constant power circuit design monitors power output continuously adjusting input power for controlled consistency.**
(US patent number 5,895,997)
- 12 “**Vibra-bar®**” transducers, 24 piezoelectric (PZT) stacks mounted to tank bottom
- “**Simultaneous Multi-Frequency®**” ultrasonic cleaning power
- Adjustable power intensity control on the control panel
- **2000 Watts of heat** controlled by an adjustable thermostat (85-195° F)
- Heavy duty, 12 gauge, 316L stainless steel tank, double TIG welded for durability
- Double wall all stainless steel construction with four **5 inch** industrial locking swivel castors
- Power requirement **240 VAC (216V – 264V)** , 50/60 Hz, single phase, 15A
- Power cord, 14 feet long, customer to provide plug
- Filtration System- 5GPM nominal pump (2MD-HC) with (1) polypropylene strainer and (1) 10 inch, polypropylene filter housing. System includes (1) universal 20 micron, polyspun, cartridge filter
- Rigid horn flush tube with integrated flow control valve

239 E. Stephenson St. Freeport, IL 61032 USA
Phone: 815-235-6020 Toll Free: 800-575-0168 Fax: 815-232-2150

WWW.UPCORP.COM

2/14/2014



ULTRASONIC POWER CORPORATION

Made in the U.S.A.

- (One) Basket, **17" x 30" x 6"**, 316L stainless steel, #2 mesh
- 1" drain, heavy duty ball valve, sloped bottom for easy draining
- Includes operator manual

Ultrasonic Transducers:

All ULTRASONIC POWER CORPORATION systems feature our unique "Simultaneous Multi-Frequency®" utilizing "Vibra-Bar®" transducers. We permanently attach our "Vibra-Bar" transducers to the underside of the radiating surface using a proprietary process that insures long term reliability. This bond is guaranteed for ten (10) years. The unique construction of the Vibra-Bar provides complex resonance of 40-90 kHz, which produces ULTRASONIC POWER CORPORATION'S patented "Simultaneous Multi-Frequency®", thus virtually eliminating undesirable standing waves.

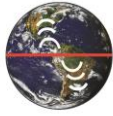
Ultrasonic Generators:

Each of ULTRASONIC POWER CORPORATION'S generator features our patented modulation sweep and power intensity control technology. The power intensity control maximizes the cleaning unit's flexibility to clean small delicate items or large bulk items. Our generators use solid state circuitry backed by 20 years of field proven reliability. ULTRASONIC POWER CORPORATION'S generators provide consistent, predictable ultrasonic cleaning power throughout the cleaning bath. This proven design provides a constant output power even as the solution temperature or load volume increases.

The Ultrasonic Power Corp. industry-leading warranty is attached. The warranty is your guarantee of the best quality, the very best. And we stand behind it!

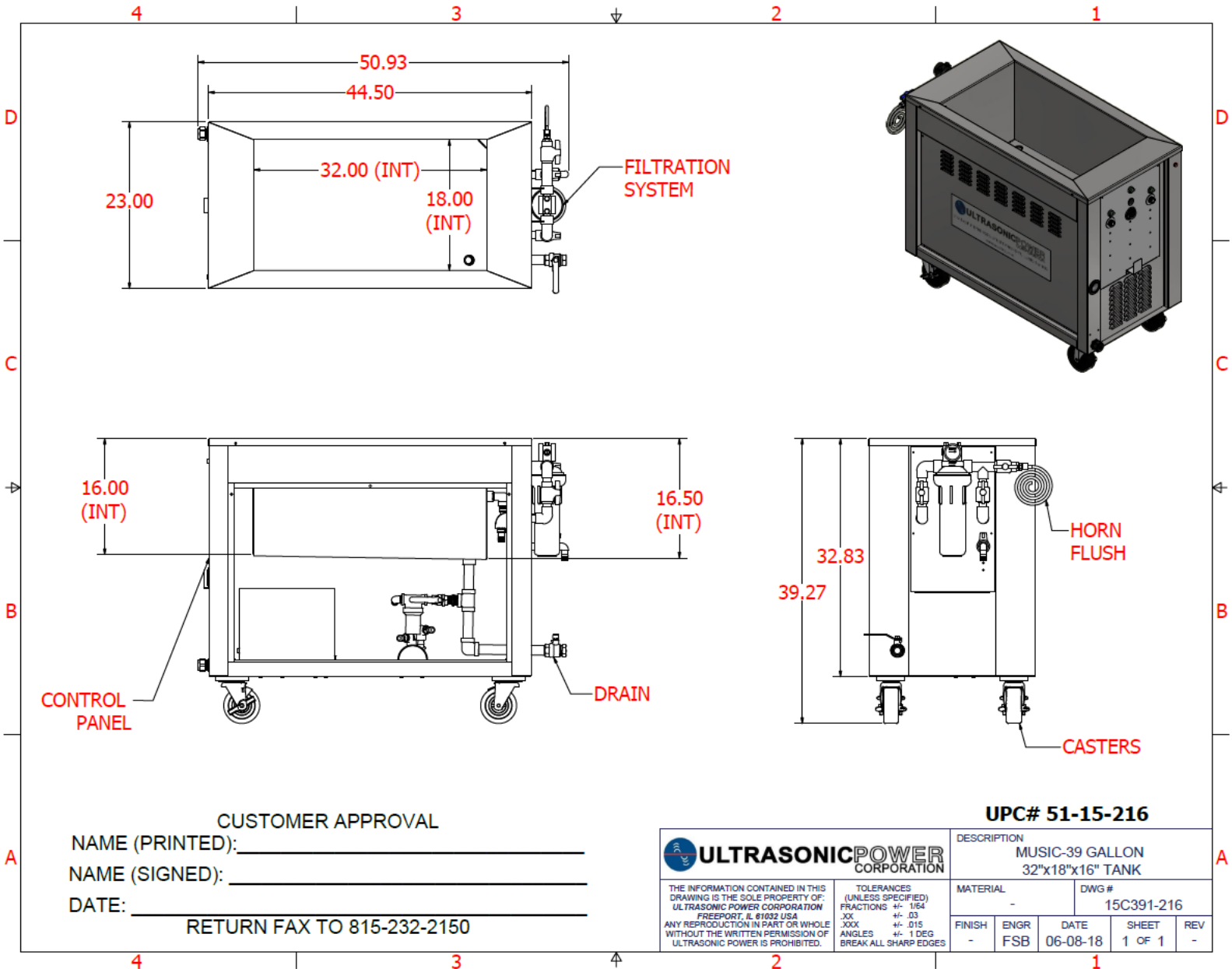
239 E. Stephenson St. Freeport, IL 61032 USA
Phone: 815-235-6020 Toll Free: 800-575-0168 Fax: 815-232-2150

WWW.UPCORP.COM



ULTRASONIC POWER CORPORATION

Made in the U.S.A.



239 E. Stephenson St. Freeport, IL 61032 USA
Phone: 815-235-6020 Toll Free: 800-575-0168 Fax: 815-232-2150

WWW.UPCORP.COM

2/14/2014