

ULTRASONIC POWER CORPORATION

Made in the

Industrial Ultrasonic Cleaning System
Model 3218 – 39 Gallon Console with
Sonic Touch® II “Smart” Control,
Filtration, Sparger and Weir



Description:

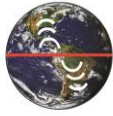
ULTRASONIC POWER CORPORATION, self-contained, portable **Model 3218**, ultrasonic cleaning system. Built for long term, continuous, reliable, precision cleaning with the following features:

- Internal dimensions of 18 inches (FtoB) x 32 inches (LtoR) x 16 inches deep
- Overall dimensions of 23 inches (FtoB) x 61 inches (LtoR) x 40 inches high
- **1500 Watts average power (3000 Watts peak)**
- 18 “Vibra-bar®” transducers, 36 piezoelectric (PZT) stacks mounted to tank bottom
- “Simultaneous Multi-Frequency®” ultrasonic cleaning power
- **2000 Watts of heat** controlled by an adjustable thermostat (85-195° F)
- Heavy duty, 12 gauge, 316L stainless steel tank, double TIG welded for durability
- Double wall all stainless steel construction with four **5 inch** industrial locking swivel castors
- Low liquid level protection- protects heating system from failure due to low liquid levels
- Power requirement **240 VAC (216V – 264V)** , 50/60 Hz, single phase, 18A
- Power cord, 14 feet long, customer to provide plug
- Filtration System- 5GPM nominal pump (2MD-HC) with (1) polypropylene strainer and (1) 10 inch, polypropylene filter housing. System includes (1) universal 20 micron, polyspun, cartridge filter
- Sparger and Weir (reservoir tank) System for surface oil removal and parts water displacement
- Oil belt skimmer- helps remove oils prior to disposal down waste stream
- Bypass valve- extends the life of the detergent by allowing user to filter the system tank and the weir (reservoir tank) independently
- 1” drain, heavy duty ball valve, sloped bottom for easy draining
- Includes operator manual

239 E. Stephenson St. Freeport, IL 61032 USA
Phone: 815-235-6020 Toll Free: 800-575-0168 Fax: 815-232-2150

WWW.UPCORP.COM

08/20/18



ULTRASONIC POWER CORPORATION

Made in the U.S.A.

One (1) 1000 Watt and one (1) 500 Watt Advanced, Patented, **Model 5400** ultrasonic generators, include the following features:

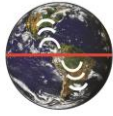
- Modulation Sweep Control - 38-42 kHz (300-1000 Hz sweep rate) - provides the ability to perform in a variety of aqueous and semi-aqueous cleaning chemistries.
- **Patented constant power circuit design monitors power output continuously adjusting input power for controlled consistency - US patent 5,895,997**
- **Patent pending Transducer Status Indicator (TSI)** - transducer monitoring circuit that indicates via LED's the operational condition of the transducers connected to it.
- **Overheat Protection System-** protects generator from high temperatures caused by overheating due to air blockage or fan failure- LED indicator for quick reference.
- **Power Intensity Control** - combined with “**Simultaneous Multi-Frequency®**”, extends the equipment cleaning ability to very fragile items such as semiconductor devices, wafers and delicate glass parts
- **Automatic short / open protection** – generator is protected if the output is either "short circuited" or "open circuited"
- **Automatic frequency / load control-** provides uniform and reliable operations under all conditions of loading
- **1500 watts average output power, 3000 watts peak power**
- Includes RFI (radio frequency interference) filter - assures RFI suppression and protection against electrical shock
- High efficiency generator circuitry
- Meets FCC requirements
- On/off switch & red indicator light
- **PLC control connector-** 15 pin connector on back of generator providing the communication functions with the Sonic Touch®II panel

Sonic Touch® II “Smart” control panel includes:

- 7” high resolution, TFT (This Film Transistor) screen, 262,000 colors with backlight
- Maintenance-free, real time clock with 1,000 hour buffer gold foil capacitor
- Analog resistive touch screen for use with gloves in an industrial environment
- IP65 Front Screen Protection with multipoint sealing solution provides long lasting protection
- CE, UL, and cUL certified
- Allows upgrades and program changes via USB port
- Ultrasonic Power function On/Off control
- Heating system On/Off control

239 E. Stephenson St. Freeport, IL 61032 USA
Phone: 815-235-6020 Toll Free: 800-575-0168 Fax: 815-232-2150

WWW.UPCORP.COM



ULTRASONIC POWER CORPORATION

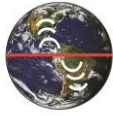
Made in the U.S.A.

- Pump and filter system On/Off control
- Oil skimmer system On/Off control
- Countdown Timer for Ultrasonic operation
- 7-day programmable Timer for Heating system
- **7-day programmable Timer for Pump and filter system**
- **7-day programmable Timer for Oil skimmer system**
- Low Liquid Indicator Alarm
- Low Liquid Indicator Alarm Logging
- Over Temperature Protection Indicator Alarm- default set at 180° F
- Over Temperature Protection Indicator Alarm Logging
- Switching between Celsius and Fahrenheit
- Ultrasonic intensity display slider and indicator
- **Sweep Control for the Generator**
- Clock and Date Indicator
- **Elapsed Time Meter for ultrasonic Power monitoring**
- **Elapsed Time Meter for heating system monitoring**
- **Elapsed Time Meter for pump and filter system monitoring**
- **Elapsed Time Meter for oil skimmer system monitoring**
- **Patented LCS (Liquid Condition Sensor) display- monitors cavitation activity levels for validation functions**
- **Frequency Display- displays frequency output for individual generators**
- **Power Output Display- displays accumulative output relative to number of generators**
- Temperature Monitor- Auto Saves Temperature every hour
- System Setting Monitor- Auto saves system settings every 5 minutes*
- Heating system temperature offset adjustment
- Heating system temperature offset setting log
- **Ultrasonic generator power output indicator alarm**
- **Ultrasonic generator power output indicator alarm log**
- **Data Recorder- continuous recording of system status in real time. Records while machine is on. Data can be stored on flash drives.**
- **Email/ SMS functions- can provide email or text notices for maintenance schedules or alerts selected by supervisor (optional)**
- System Diagnostics
- **VNC Control Technology- Android/iOS capability using a VNC app for full system monitoring and control**
- Password protected control for Level of User (Operator/Supervisor)
- **Preventative Maintenance Timer/Schedule function**
- **SOVI ® (Sonic Output Validation Indicator) diagnostic system- validates operating condition of the system. Error code indicates fault.**

239 E. Stephenson St. Freeport, IL 61032 USA
Phone: 815-235-6020 Toll Free: 800-575-0168 Fax: 815-232-2150

WWW.UPCORP.COM

08/20/18



ULTRASONIC POWER CORPORATION

Made in the U.S.A.

SONIC TOUCH® II is Ultrasonic Power's multifunctional digital control panel offering operators a unique, fully-integrated method for controlling, viewing and recording all system functions. It uses a large, bright, state-of-the-art, high resolution color screen that is completely water-proof and easy to operate.



SOVI® (Sonic Output Validation Indicator) is an “on board” diagnostic system which uses software and various sensing circuits to monitor functions like transducer status, generator status and tank over-temperature. SOVI® validates operations and displays an error signal if a problem should occur. This is extremely useful for processes that require constant operational status updates.

Ultrasonic Transducers:

All ULTRASONIC POWER CORPORATION systems feature our unique “Simultaneous Multi-Frequency®” utilizing “Vibra-Bar®” transducers. We permanently attach our “Vibra-Bar®” transducers to the underside of the radiating surface using a proprietary process that insures long term reliability. This bond is guaranteed for ten (10) years. The unique construction of the “Vibra-Bar®” provides complex resonance of 40-90 kHz, which produces ULTRASONIC POWER CORPORATION'S patented “Simultaneous Multi-Frequency®”, thus virtually eliminating undesirable standing waves.

Ultrasonic Generators:

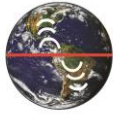
Each of ULTRASONIC POWER CORPORATION'S generator features our patented modulation sweep and power intensity control technology. The power intensity control maximizes the cleaning unit's flexibility to clean small delicate items or large bulk items. Our generators use solid state circuitry backed by 20 years of field proven reliability. ULTRASONIC POWER CORPORATION'S generators provide consistent, predictable ultrasonic cleaning power throughout the cleaning bath. This proven design provides a constant output power even as the solution temperature or load volume increases.

The Ultrasonic Power Corp industry-leading warranty is attached. The warranty is your guarantee of the best quality, the very best. And we stand behind it!

239 E. Stephenson St. Freeport, IL 61032 USA
Phone: 815-235-6020 Toll Free: 800-575-0168 Fax: 815-232-2150

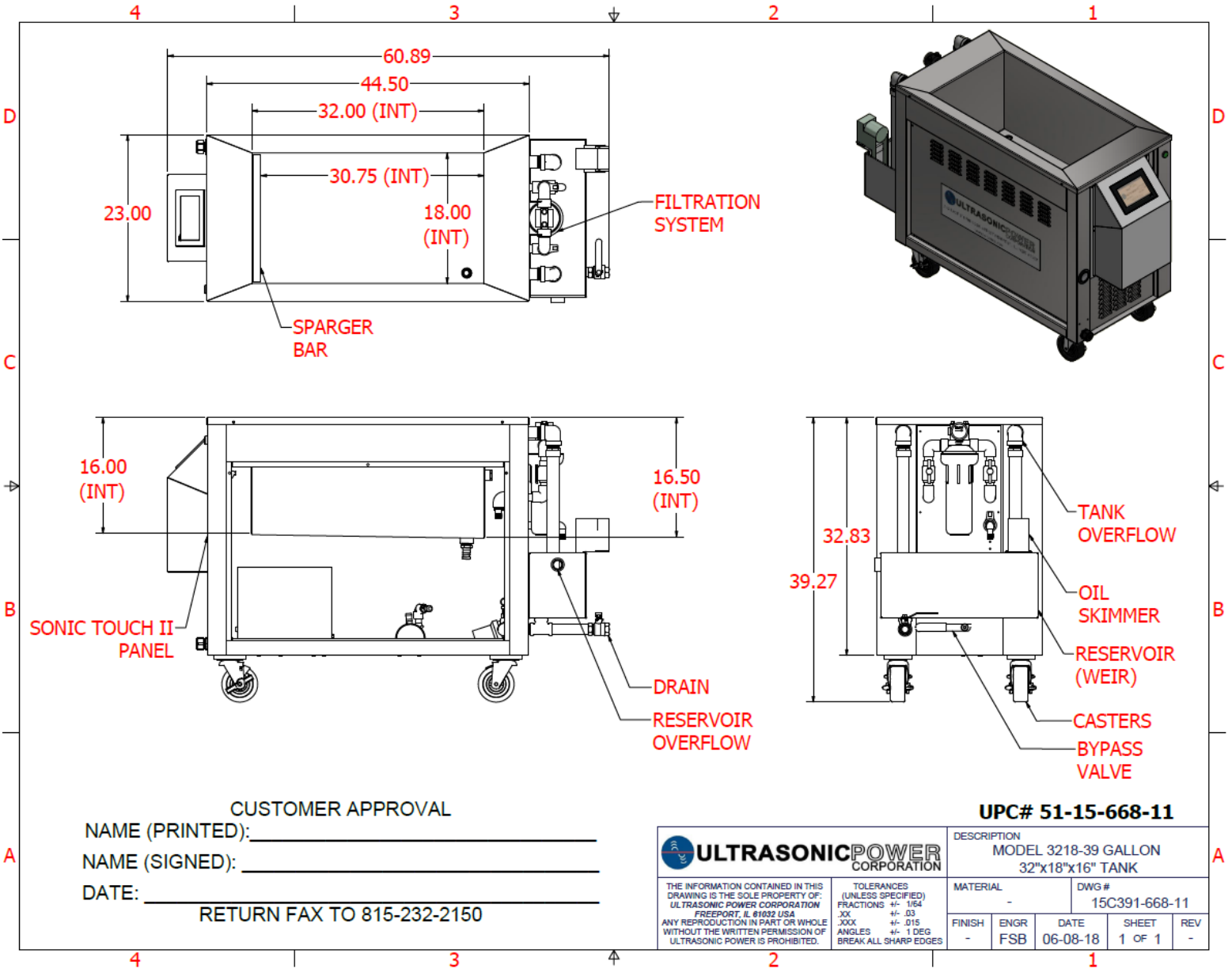
WWW.UPCORP.COM

08/20/18



ULTRASONIC POWER CORPORATION

Made in the U.S.A.



239 E. Stephenson St. Freeport, IL 61032 USA
Phone: 815-235-6020 Toll Free: 800-575-0168 Fax: 815-232-2150

WWW.UPCORP.COM

08/20/18